

SHOWMOBILE®

Showmobile® is an all-in-one mobile performance system that creates a polished, high-profile performance environment for events of all kinds. The Showmobile® features a full-scale, thrust-style stage with a cantilevered canopy and a state-of-the-art acoustical shell finished inside and outside. Set up and operation are simple and fast. When on site, the truck can unhitch and drive away.

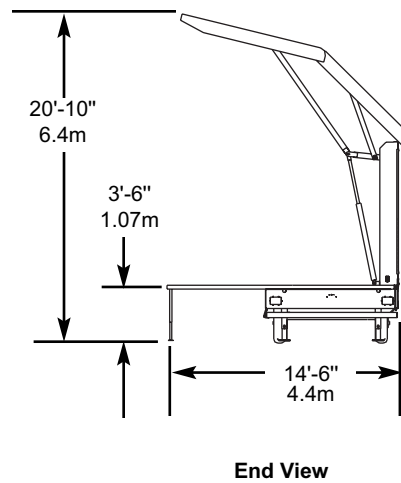
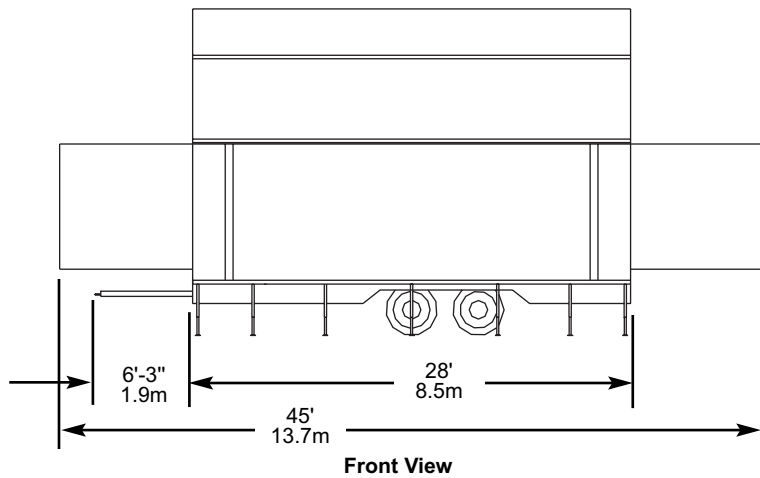
- Wall surfaces are weather-resistant, acoustically reflective panels.
- Decks surfaces are weather-resistant, skid-free polyglass.
- Extruded aluminum channels on the roof and canopy form a continuous gutter system for moisture drainage. These channels create a watertight, dust-tight seal during transport.
- An internal hydraulic system with wired remote deploys the stage and canopy which is leveled by jacks.
- A 12-volt battery powers the hydraulic system.
- A 110 VAC power center connects to an external 120 VAC power source and supplies fluorescent lighting and electrical outlets.
- Lockable storage compartments permit packing auxiliary equipment such as power cords, staging accessories, sound equipment, and other necessities.
- The roof and canopy can be lowered to the closed position and side doors closed and locked with the stage deck fully deployed. Stage extensions, stairs, decorative skirts, and stage equipment can be left in place, protected from weather and vandals, and ready for the next performance.
- Five-year warranty.

Intended Use

- Showmobile® is intended to be set up inside or outside in all weather conditions.
- Showmobile® can be towed at highway speeds on all roads and can be set up on any level surface.

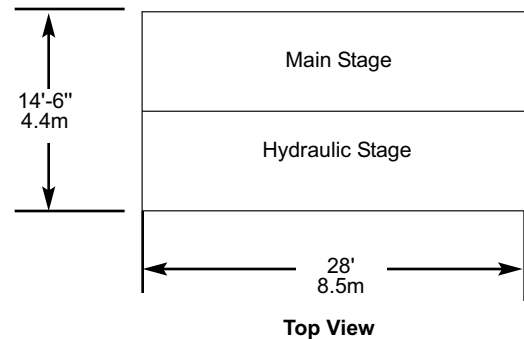
Performance Dimensions

Main stage28' x 6' 6" (8.5 m x 2 m)
Hydraulic stage28' x 8' (8.5 m x 2.4 m)
Overall stage depth14' 6" (4.4 m)
Stage height from ground3' 6" (1.07 m)
Canopy height at highest setting from stage surface17' 4" (5.3 m)
Canopy height at highest setting from ground surface20' 10" (6.4 m)
Upstage canopy height from stage surface9' 3" (2.8 m)
Overall overhead canopy depth13' 2" (4 m)



Travel Dimensions

Length including hitch33' 8" (10 m)
Body length28' (6.5 m)
Width8' 5" (2.6 m)
Height13' 3" (4 m)



Standard Equipment

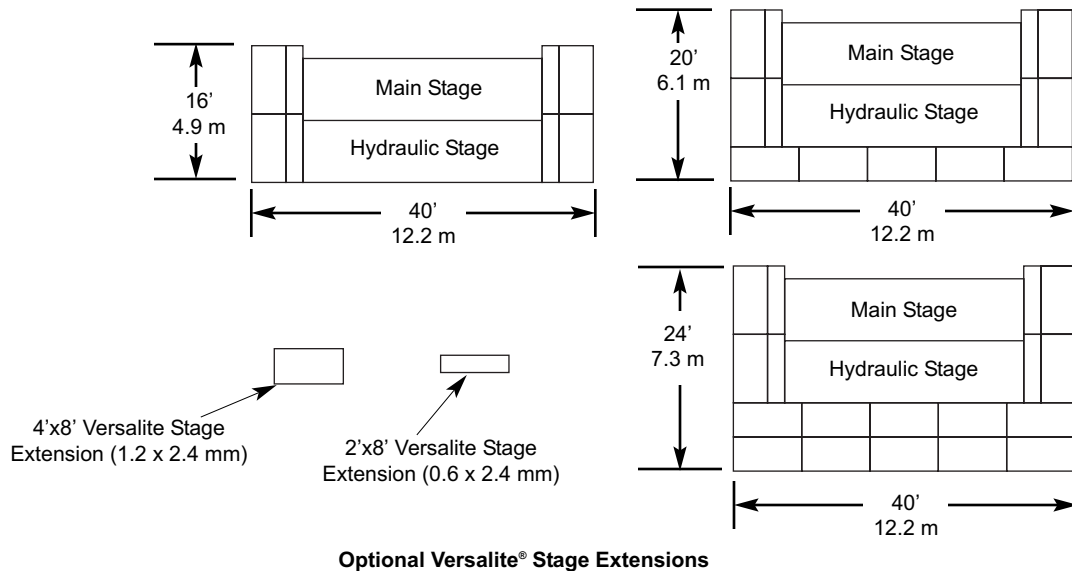
- Manual leveling jacks with two removable cranks.
- End doors open for easy access and serve as side-stage adjustable sound reflectors.
- Hydraulic deployment of canopy and stage with wired remote control module.
- Built-in overhead fluorescent lighting.
- An electrical power center with a lockable door for 110 VAC circuits.
- A 12-volt battery and charger to power the hydraulic system.
- Two storage compartments built-in into the curb-side, below-stage level.
- Duplex electrical outlets, four on-stage and one near the battery for charging.
- A 110-volt power cable, 50 feet long (15.2m).
- Eight on-stage tie-downs with four tie-down straps.
- One adjustable all-terrain stairway with hand rail.
- Pintle hitch coupler.
- G-rated tubeless radial tires.

Optional Upgrades

- Custom graphics with logo or other designs.
- Electrical upgrade with 220-volt power cable, four duplex outlets on the canopy, two duplex outlets on the back wall, and an additional load center.
- Four hydraulic leveling jacks with a wireless remote control and auto-level system.
- Low profile, curb-side disability lift.

Accessories

- Versalite® Platform stage extensions are available to extend the stage on each side and on the front. Sizes of 16' x 40', 24' x 24', or 20' x 40' (4.9 m x 12.2 m, 6.1 m x 12.2 m, or 7.3 m x 12.2 m) can be created as well as other configurations. The extensions include platforms, adjustable legs, and all connectors.
- Stage railings can be added to Versalite® stage extensions.
- Stage skirting is available in 25 colors.
- Additional stairways can be attached anywhere on the stage perimeter.
- Three audio systems are available for professional quality sound — Basic, Premier, and Deluxe options.
- Incandescent show lights. Packages feature light bars, fixtures, lamps, gel frames and gels. Packages require the electrical upgrade.
- Portable generator for 110 VAC power where electrical service is not available.



Wenger®

WENGER CORPORATION
555 Park Drive, PO Box 448
Owatonna, MN 55060-0448
Phone 800.4WENGER
Fax 507.455.4258
Customer Service 800.887.7145

CANADA
(Dufferin Liberty Center)
219 Dufferin, Suite 117C
Toronto, Ontario M6K 3J1
Phone 800.268.0148
Fax 416.754.3996

EUROPE
Tel +31 26 376 0500
wenger-europe.com

BEIJING REPRESENTATIVE
OFFICE OF WENGER
Tel 0086-10-84972502
Fax 0086-10-84972575

WORLDWIDE
Phone 507.455.4100
Fax 507.444.0685

WEB SITE
wengercorp.com